

## Data Sheet - Customer Terminal Box Cal 602 Page 1 of 2

### Product Description

A newly developed FTTH (Fibre To The Home) solution. The box is light and compact, especially suitable for protective connection of fibre cables and pigtails.



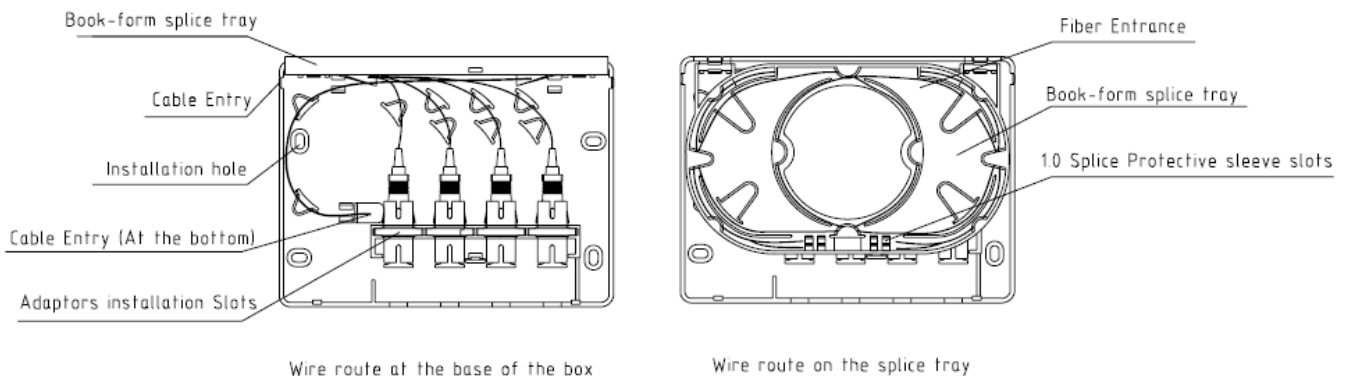
### Features

- Attractive slim design
- Suitable for indoor wall or desk mount
- Can accept a variety of optical connection types
- Optical fibre can be managed effectively
- The base and cover of the box adopts “self clip” method which is easy and convenient to open and close
- Could be used for adaptors such as SC, FC, LC Duplex
- Max capacity 4 fibres
- Easy installation

### Specifications

Environmental Temperature : -25 deg C to 40 deg C  
 Max capacity: 4 fibres  
 Suitable types of fibre cables: 4 fibres indoor fibre cables  
 Dimensions: 150\*110\*30mm

### Fibre Route And Main Components Of The Terminal Box



Pic1: The fiber route schematic diagram

## Data Sheet Customer Terminal Box Cal 602 Page 2 of 2

### Product Components



Caladen continue to work on innovation and design, so specifications may change without notice. Please contact our sales department to confirm specification. Errors and omissions excepted.